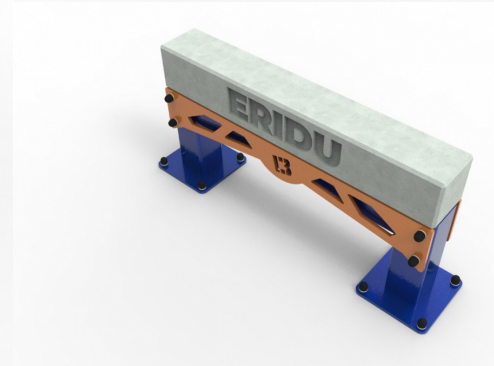
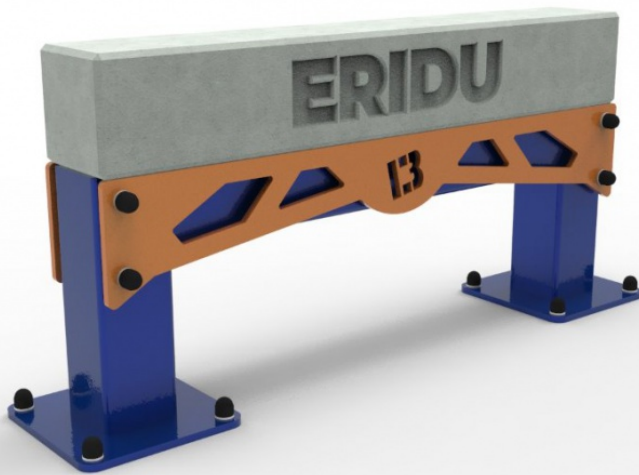


PRODUCT NAME

PRODUCT CODE

1EW01



DESCRIPTION:

Parkour wall is a unique element for practice of jumps over various obstacles. There is a special concrete block on top of each wall which enables further bounce without fear of slipping and brings a feeling of an urban jungle to the parkour park. Eridu walls of different heights can be freely combined with other elements from our production.

PRODUCT NAME

PRODUCT CODE

1EW01

Basic information

Product type	Outdoor parkour park	Usage	strengthening, stretching, fitness
Brand	REVOLUTION13 / RVL13.COM	Series	ERIDU
Name	Eridu wall 45	Code	1EW01

Technical Specification

Dimensions	450x900x140	Maximum height	450
Color scale	Complete palette RAL	Target group	15+
Stand count		Critical fall height (HIC)	

Surface

Komaxit 90 with a zinc layer for extreme conditions

Materials

	Diameter	Width
Dips	51mm	4,5mm
Bars	33,7mm	3,5 - 4,5mm
Pillar (square plan)	100mm	4,0mm

Delivery and installation

Lead time	5/6 weeks	Installation	
Standards	EN 16:630 (TUV)		

Recommended flooring

Optimal dimensions	Not Sold Separately
Floor surface	Concrete base

Company Enuma Elis s.r.o. always recommends installation in accord with the safety norm 16:630

PRODUCT NAME

PRODUCT CODE

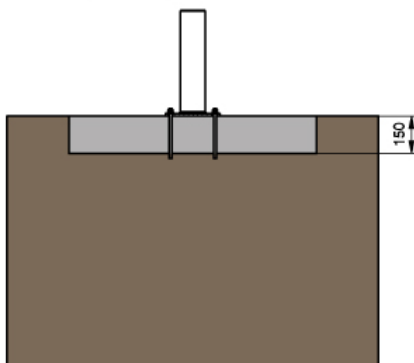
1EW01

ISO views

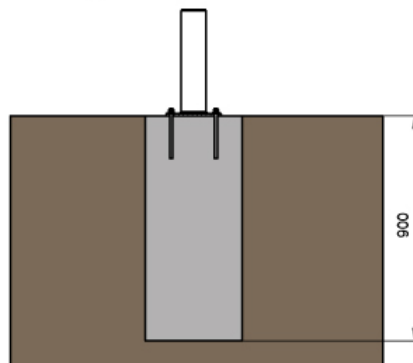
Safe zone

Installation types

kotvení - **betonová deska**
dopadová plocha - **tartan**



kotvení - **betonové patky**
dopadová plocha - **tráva**



kotvení - **betonové patky**
dopadová plocha - **štěrk / mulč**

